

VCI-AR0522-CB

- onsemi AR0522 5MP Rolling Shutter Sensor
- Near Infra-Red Enhancement for Outdoor Applications
- Designed for Low Light Applications
- C-Mount for Interchangeable Lenses
- UVC USB Type-C 5 Gbps Connector
- Plug & Play with Windows & Linux OS
- VizionViewer™ configuration utility
- VizionSDK for custom development



VizionSDK VizionViewer™

Camera Information

CMOS Sensor	onsemi AR0522
Active Pixels	2592 (H) x 1944 (V) = 5MP
Pixel Size	2.2 μm x 2.2 μm
Illuminated Type	Back Side Illuminated (BSI)
Maximum S/N Ratio	40 dB
Optical Format	1/2.5" (Diagonal 7.13 mm)
Shutter Type	Rolling Shutter
Chromaticity	Color / Mono
Maximum Frame Rate (MJPEG)	2592 x 1944 @ 60 fps 2560 x 1440 @ 60 fps 1920 x 1080 @ 60 fps 1280 x 960 @ 80 fps 1280 x 720 @ 80 fps 640 x 480 @ 120 fps
Maximum Frame Rate (UYVY)	2592 x 1944 @ 24 fps 2560 x 1440 @ 32 fps 1920 x 1080 @ 60 fps 1280 x 960 @ 60 fps 1280 x 720 @ 60 fps 640 x 480 @ 120 fps
Output Format	MJPEG (JPG) UYVY

Camera Interface

Connector	USB Type-C 5 Gbps
-----------	-------------------

Power

Supply Voltage	5V ± 5%
Power Consumption	2592 x 1944 @ 24 fps ≤ 1.2W
Standby Power	≤ 0.1W Standby

Software Support

Operation System	UVC Plug-and-play Windows 10/11 Linux Yocto
Software	VizionViewer™
Development SDK	VizionSDK

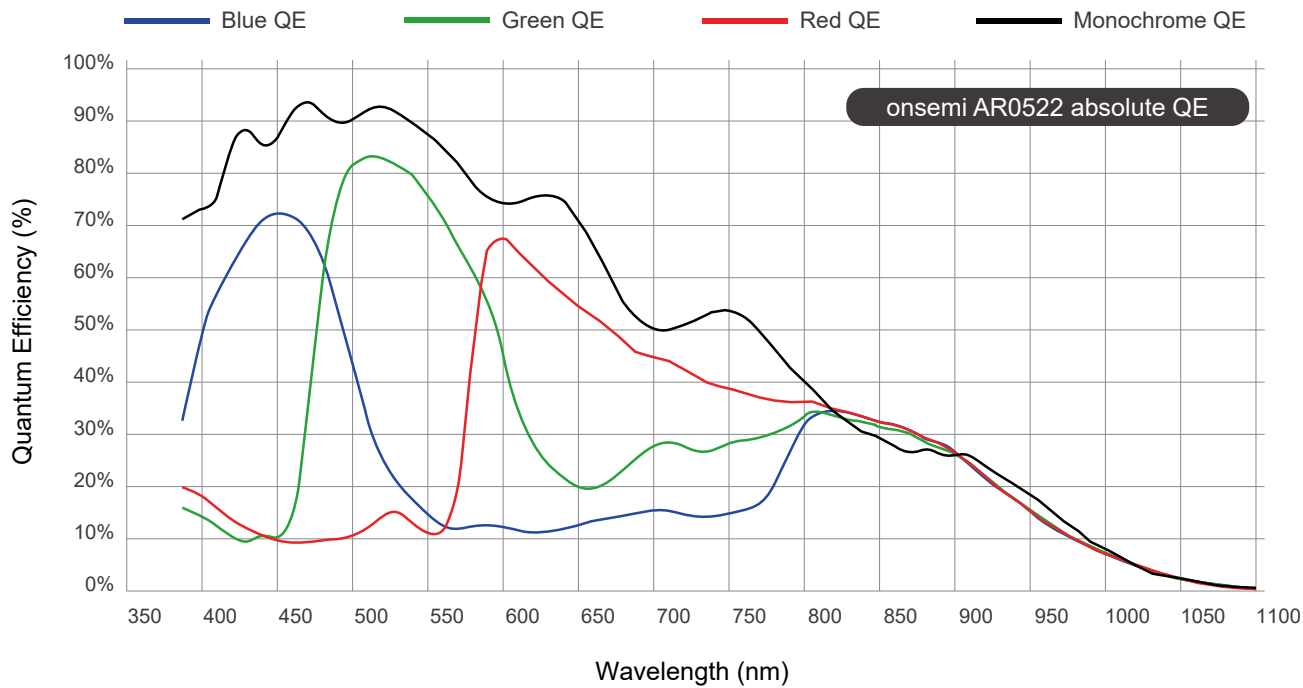
Environmental and Mechanical

Dimensions	29.5(W) x 29.5(H) x 33.8(D) mm
Weight	≤ 39 grams
MTBF	50,000 Hours
Shock	15G half-sine 11 ms duration
Vibration	1 Grms random 5-500Hz hr/axis
Relative Humidity	10 to 90 %
Operating Temperature	-30°C to + 70°C

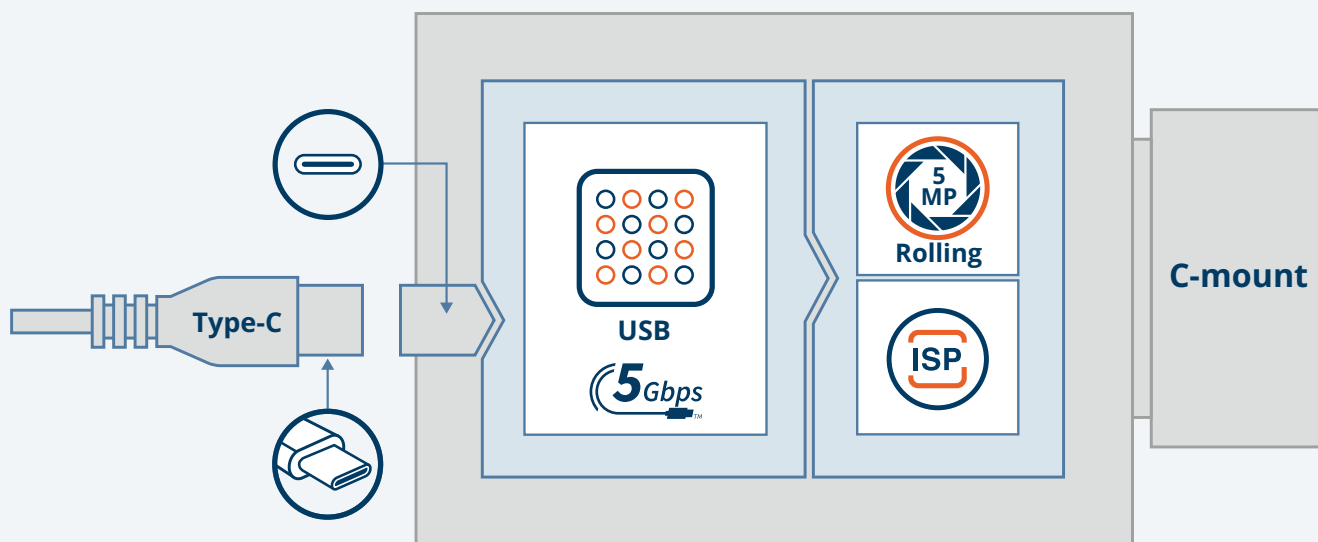
Certification and Compliance

Certification	Compliant with CE / FCC / RoHS / REACH directives
---------------	---

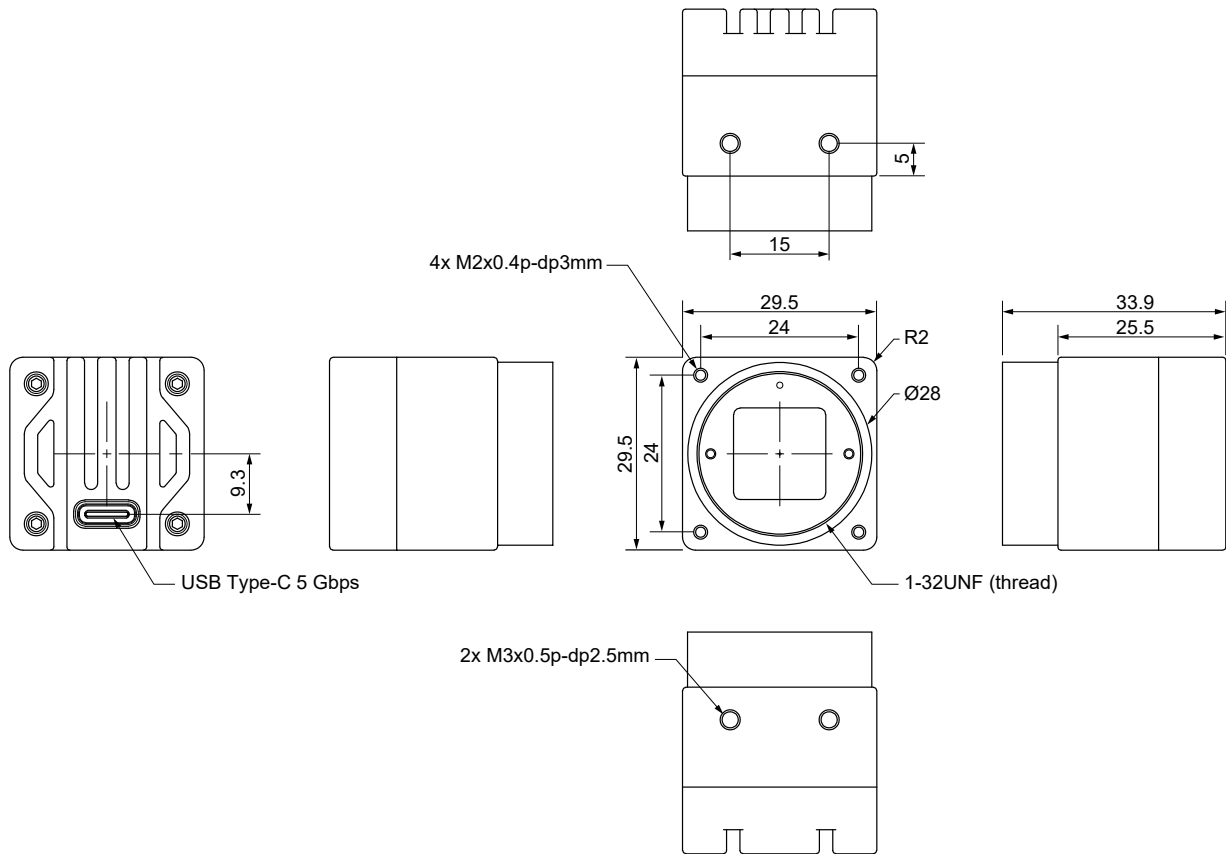
Spectral Characteristics



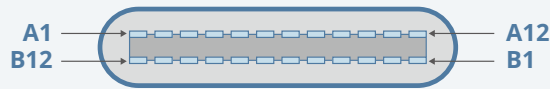
Block Diagram



Dimensions (units in mm)



Connector Pin Definition



No.	Pin Define	No.	Pin Define
A1	GND	B12	GND
A2	TXP1	B11	RXP1
A3	TXN1	B10	RXN1
A4	VBUS1	B9	VBUS3
A5	CC1	B8	SBU2
A6	DP1	B7	DN2
A7	DN1	B6	DP2
A8	SBU1	B5	CC2
A9	VBUS2	B4	VBUS4
A10	RXN2	B3	TXN2
A11	RXP2	B2	TXP2
A12	GND	B1	GND

Order Information

VCI-AR0522-x-CB-xx-xxxx

Option	Code	Description
Chromaticity	C	Color
	M	Monochrome
Filter	-	-
	IR	IR Cut Filter 650nm
Custom ID	XXXX	Custom Part number ID for customized Software loader and special component (BOM)

For customization, please contact your TechNexion sales representative.

Optional Accessories

An easy to attach A-Mount bracket for TechNexion 30mm enclosed cameras.



300-MOUNT-BRACKET



300-MOUNT-BRACKET on tripod (tripod not included)

Custom Lens Solutions

Our C-mount cameras can be paired with a variety of off-the-shelf lenses. Customers are welcome to choose their own, or alternatively our engineers are on standby to assist with selecting the right camera lens for different applications.

